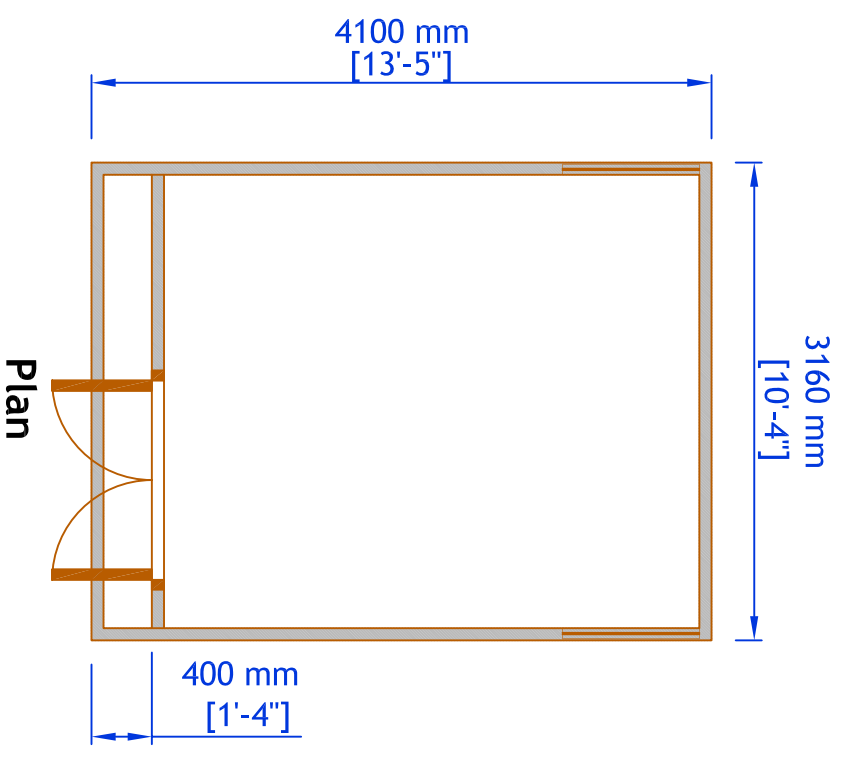
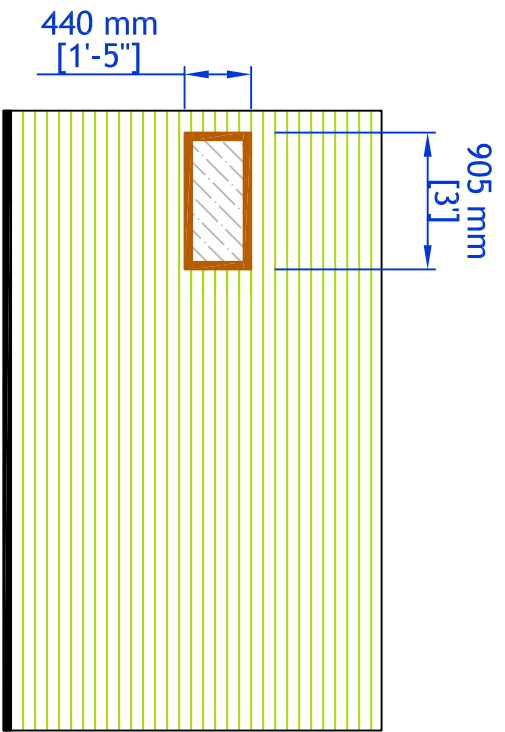
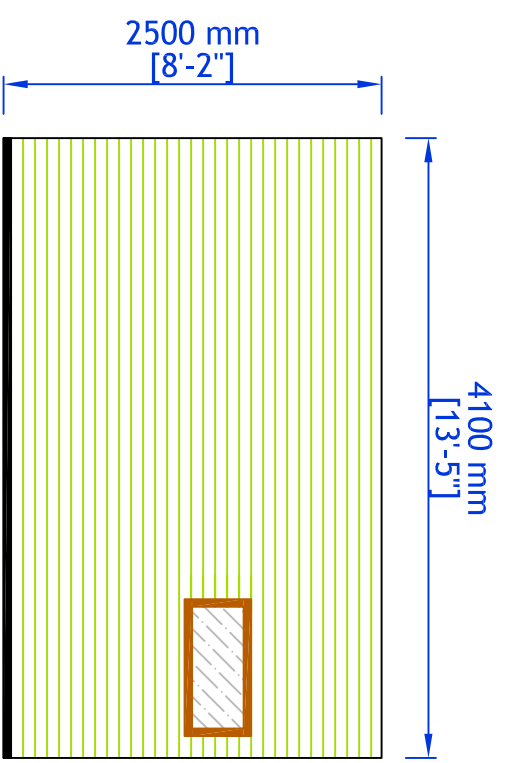
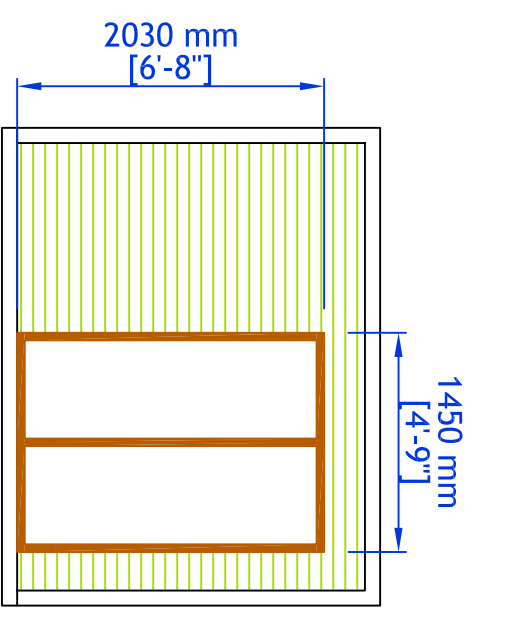


RevNo	Revision note	Date	Signature	Checked



Itemref	Quantity	Title/Name, designation, material, dimension etc	Article No./Reference
Designed by K Parker	Checked by	Approved by - date	Date
Scale 1:50		Edition 1/1	

Green Retreats		Chatsworth Retreat	
1		1	
Sheet		1/1	