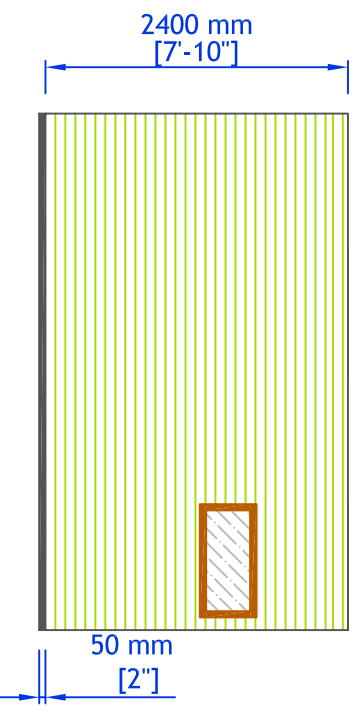
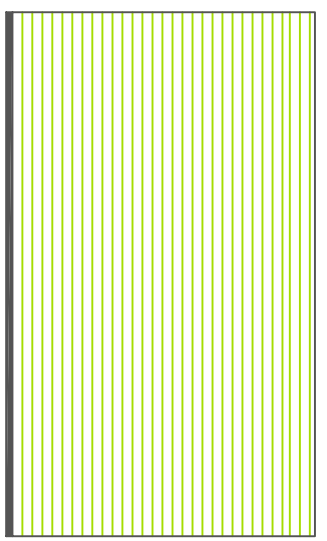


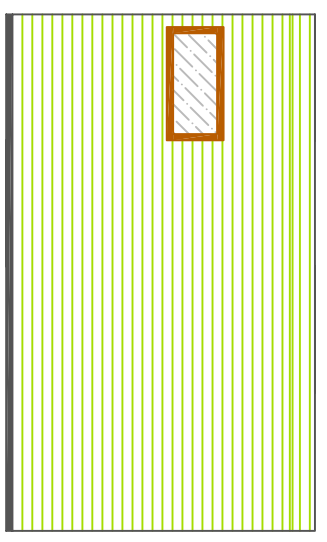
Front Elevation



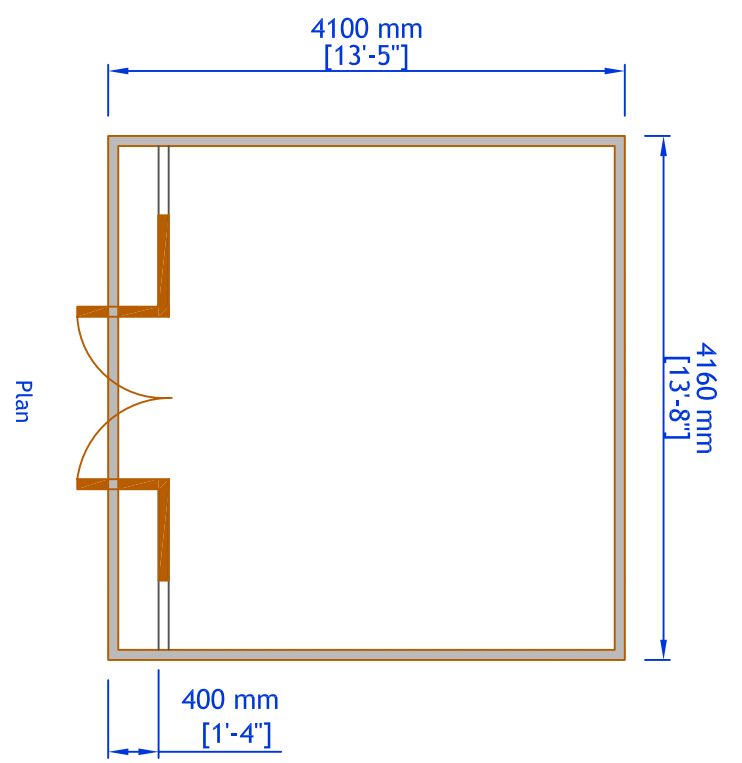
Right Elevation



Rear Elevation



Left Elevation



Plan

Itemref	Quantity	Title/Name, designation, material, dimension etc	Article No./Reference
Designed by K Parker	Checked by	Approved by - date	File name Balmoral
Green Retreats			Balmoral Retreat
1			Edition 1/1
Scale 1:60			Sheet 1/1

